

# FORTNER

## FURNITURE COLLECTION

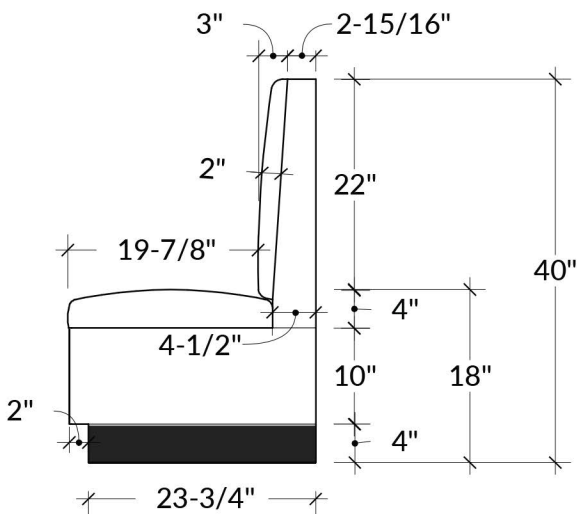
THE PENELOPE BANQUETTE W/ QUICK-SHIP OPTIONS



### The Penelope Banquette

Designed for easy cleaning and hassle-free maintenance with removable seat/back.

- Removable seat/back
- Laminated 4" kick-plate
- Sewn biscuit tufting or tight seat/back
- Charging stations available



Quick-ship banquettes are available in 24", 48", 60", and 72" lengths. Corner pieces also available. Choose your size along with your in-stock fabric/finish selections.

**YOUR VISION BROUGHT TO LIFE. FORTNERINC.COM**